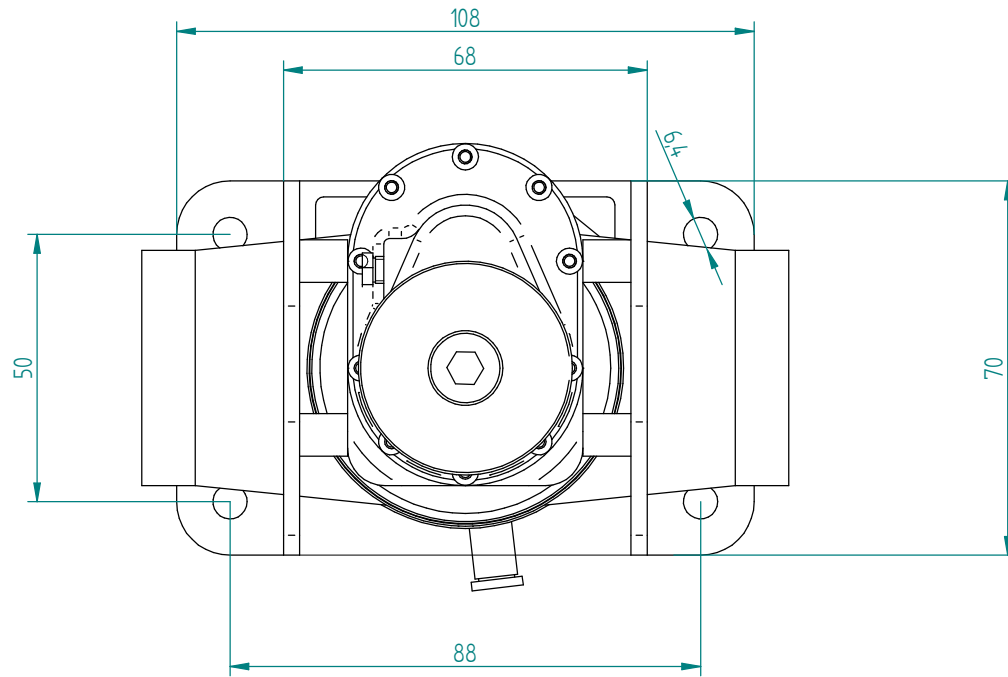


	NAME	DATE	<b>XICOY TURBINES</b>			
DRAWN	Gaspar	07/07/19			TITLE	TP45 lateral
CHECKED					SIZE	A3
ENG APPR					DWG NO	
MGR APPR			FILE NAME:	TP45.dft		
UNLESS OTHERWISE SPECIFIED DIMENSIONS ARE IN MILLIMETERS ANGLES ±X.X° 2 PL ±X.XX 3 PL ±X.XXX			SCALE:	WEIGHT:		
			SHEET 1 OF 11			



	NAME	DATE	<b>XICOY TURBINES</b>		
DRAWN	Gaspar	07/07/19			
CHECKED			SIZE A3	DWG NO	REV
ENG APPR			FILE NAME: TP45.dft		
MGR APPR			SCALE:	WEIGHT:	SHEET 2 OF 11
UNLESS OTHERWISE SPECIFIED DIMENSIONS ARE IN MILLIMETERS ANGLES ±X.X° 2 PL ±X.XX 3 PL ±X.XXX					